



Automatic Air Vent Valve

Specifications

- Small orifice of 1/16 inch (1.6mm) to release air under pressure during normal pipeline operation.
- The float is connected to the vent via a linkage mechanism which is capable of operating the vent under full pipeline pressure.
- NPT or Metric thread of inlet.
- The maximum air discharge pressure is 2.5 bar.
- Maximum Working Pressure is 16 bar.
- WRAS Approved.

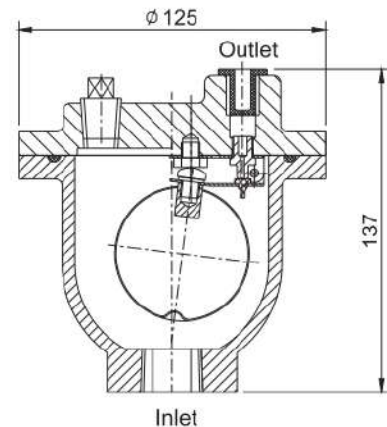
Corrosion Protection

- Fusion Bonded Coating or Liquid Epoxy Painted Interior and Exterior.

Main Dimensions(mm)

| Size | Inlet Size | Outlet Size |
|------|------------------|------------------|
| 1/2" | 1/2" BSPT or NPT | 1/2" BSPT or NPT |
| 3/4" | 3/4" BSPT or NPT | 1/2" BSPT or NPT |
| 1" | 1" BSPT or NPT | 1/2" BSPT or NPT |

Schematic



Material Specifications

| Part | Material | EN Specification | ASTM Specification |
|----------------|-----------------|------------------------|--------------------|
| Body | Gray Cast Iron | EN 1561 EN-GJL-250 | A126 Class B |
| Cover | Gray Cast Iron | EN 1561 EN-GJL-250 | A126 Class B |
| Lever Frame | Stainless Steel | EN 10088 X5CrNi18-10 | A276 Type 304 |
| Seat | Stainless Steel | EN 10088 X5CrNi18-10 | A276 Type 304 |
| Float Ball | Stainless Steel | EN 10088 X5CrNi18-10 | A276 Type 304 |
| Gasket | EPDM | EN 681 EPDM | D2000 EPDM |
| Cover Bolt | Carbon Steel | Grade 8.8 | A 307 Grade B |
| Float Arm | Stainless Steel | EN 10088 X5CrNi18-10 | A276 Type 304 |
| Orifice Button | Viton | | |
| Pivot Pin | Stainless Steel | EN 10088 X5CrNi18-10 | A276 Type 304 |
| Pin Retainer | Stainless Steel | EN 10088 X5CrNi18-10 | A276 Type 304 |
| Plug | Malleable Iron | EN 1562 EN-GJMB-350-10 | A47 Grade 22010 |
| Locator | Stainless Steel | EN 10088 X5CrNi18-10 | A276 Type 304 |

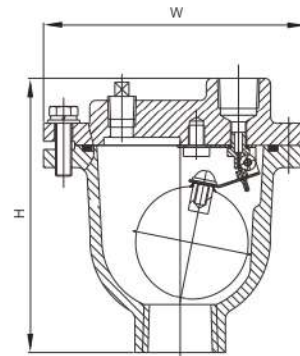


Air release valve

Air release valve is usually used on wet pipe sprinkler systems and on casings of horizontal split case pumps, so to permit trapped air in the pipeline to be released automatically without losing water pressure.



- Certificate: UL Listed / FM Approved
- Standard: UL Subject 2573, NFPA 20
- Connection: Threaded, NPT / BSPT
- Temperature: Max 82°C, water
- W. pressure: 300 / 200 psi
- Pump capacity: 200 ~ 2200 GPM
- Surface: FBE coating as AWWA C550



Main parts and material

| | | | |
|---------------------|-------------------------------------|-------|------------------|
| Body / bonnet | Ductile iron as ASTM A536, 65-45-12 | Float | SS 304 |
| Internal trim parts | SS 304 | Seal | Buna-N, or Viton |

Available size (Source 1 with FM)

| Size | | Orifice | Outlet size | Dimension (mm) | | Working pressure (psi) | Ref. No. |
|------|----|---------|-------------|----------------|-----|------------------------|------------|
| Inch | DN | | | H | W | | |
| 1/2" | 15 | 1/16" | 1/2" | 149 | 95 | 300 | U1701 (FM) |
| 3/4" | 20 | 1/16" | 1/2" | 149 | 95 | 300 | U1702 (FM) |
| 1" | 25 | 1/16" | 1/2" | 149 | 95 | 300 | U1703 (FM) |
| 1/2" | 15 | 1/16" | 1/2" | 137 | 125 | 200 | U1704 (FM) |
| 3/4" | 20 | 1/16" | 1/2" | 137 | 125 | 200 | U1705 (FM) |
| 1" | 25 | 1/16" | 1/2" | 137 | 125 | 200 | U1706 (FM) |



Air release valve

Available size (Source 2 with UL/FM)

| Size | | Inlet size | Outlet size | Dimension (mm) | | Working pressure (psi) | Ref. No. |
|------|----|------------|-------------|----------------|-----|------------------------|---------------|
| Inch | DN | | | H | W | | |
| 1/2" | 15 | 1/2" | 1/2" | 137 | 125 | 300 | U1711 (UL/FM) |
| 3/4" | 20 | 3/4" | 1/2" | 137 | 125 | 300 | U1712 (UL/FM) |
| 1" | 25 | 1" | 1/2" | 137 | 125 | 300 | U1713 (UL/FM) |



Description

Air Release valves are designed to vent entrained air that collects at high points in a pipeline. This Valve continuously eliminates air from a system by releasing small quantities of air before large air pocket can occur in the system.

Model : LWR 103 - Inlet : 20mm (3/4") \varnothing BSP

Model : LWR 104 - 25mm (1") \varnothing BSP

Material : Copper Alloy

Test Pressure : 350 PS